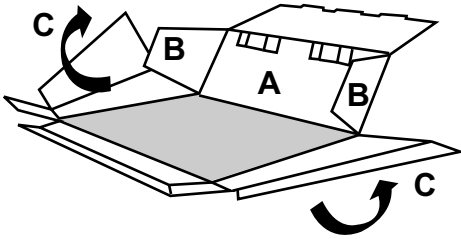
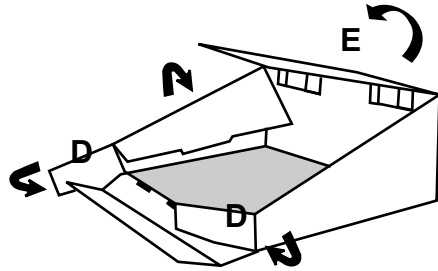


TWO TIER DISPLAY Assembly Instructions

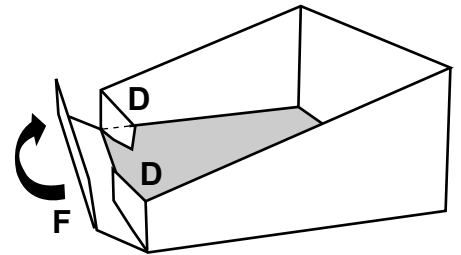
1 Fold (A) up and side flaps (B) in toward each other. Roll up right & left flaps (C) over flaps (B) and lock in.



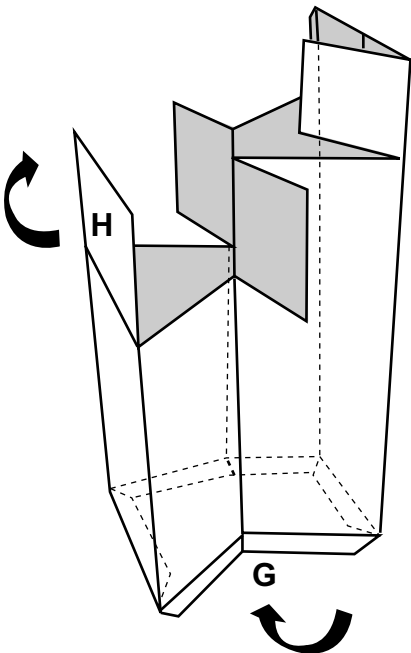
2 Fold (D) in toward each other. Roll over back double wall (E) and lock in as shown.



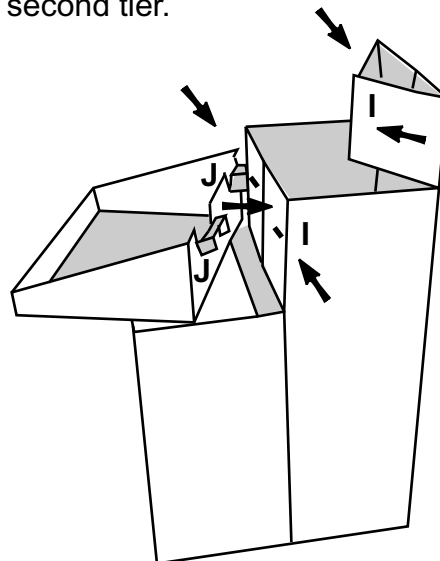
3 Roll front double wall (F) over (D) flaps and lock in. Repeat step for second tray.



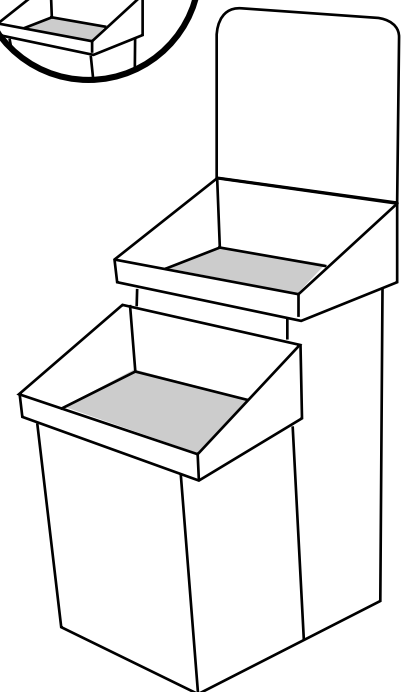
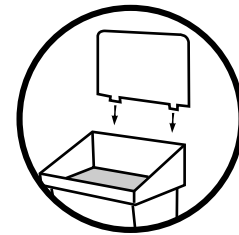
4 Square up base. Fold bottom flaps (G) under base. Fold shelf (H) over.



5 Fold side flaps in toward each other as shown (I). Place bottom tray onto shelf and insert butterfly tabs into slots as shown (J). Repeat for second tier.



6 Place optional header into top slots.



YOUR FINISHED DISPLAY