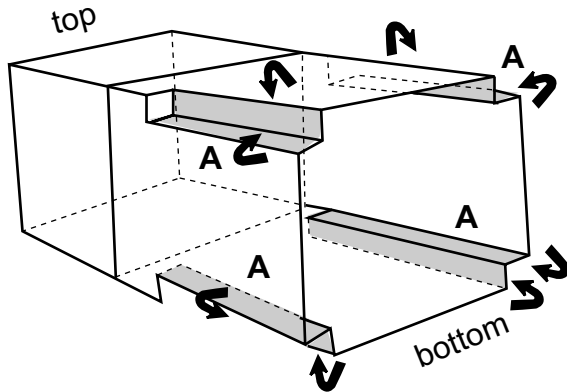


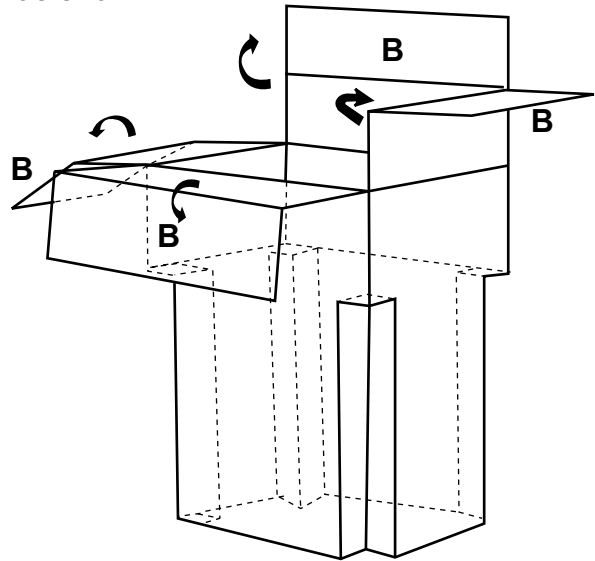
Assembly Instructions

1 Square up base. Fold the four corner kick-ins (A) into base.

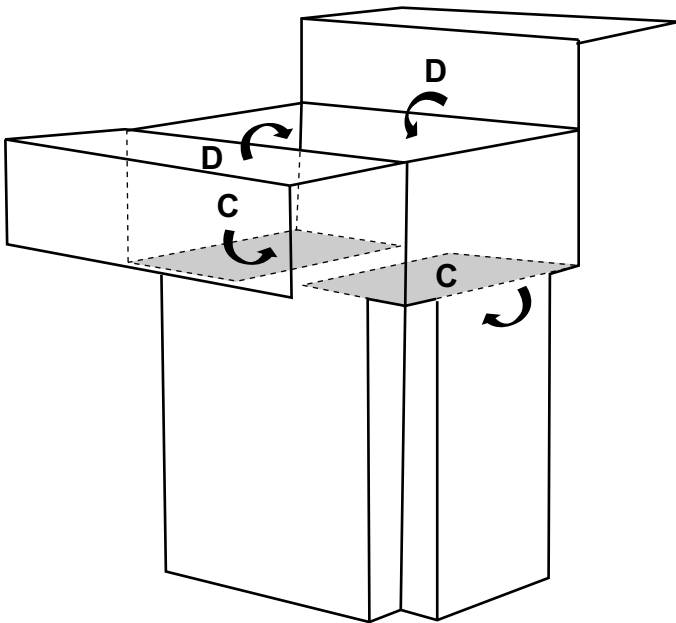


* Note that base is pictured on its side.

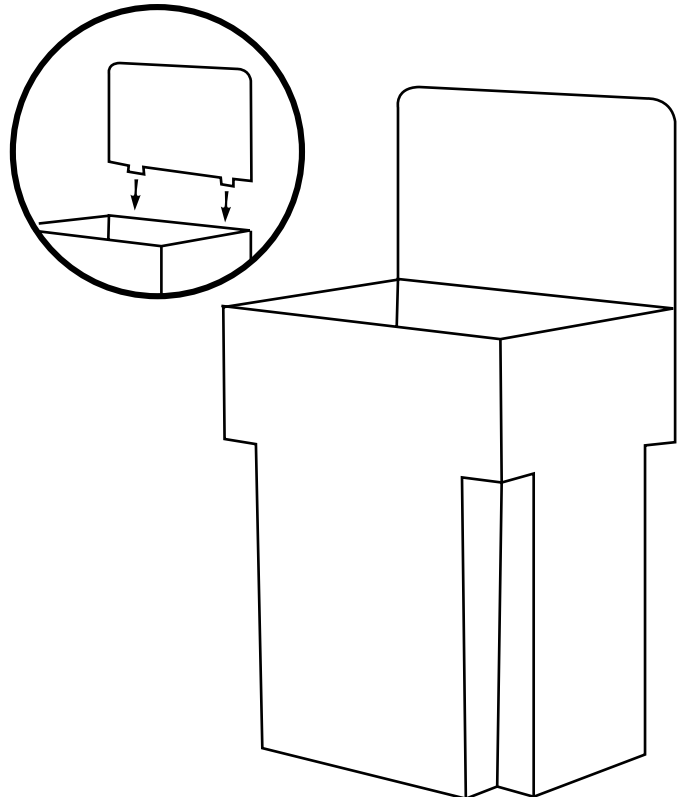
2 Back break all four side flaps (B) at 90° as shown.



3 Roll over right and left side flaps (C) which will rest on the kick-ins. Repeat to front and back flaps (D) to make the bin.



4 Place optional header into top slots.



YOUR FINISHED DISPLAY